

ZOLUX

50

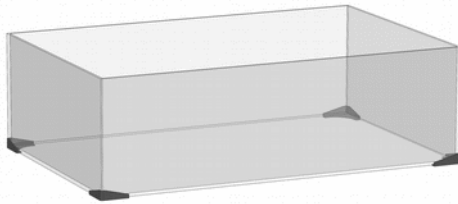
PANAS COLOUR CONNECTABLE

INSTRUCCIONES DE MONTAJE / ASSEMBLY INSTRUCTIONS /
ISTRUZIONI DI MONTAGGIO / INSTRUKCJA MONTAŻU /
NSTRUCCIONES DE MONTAJE / INSTRUÇÕES DE MONTAGEM /
ISTRUZIONI DI MONTAGGIO

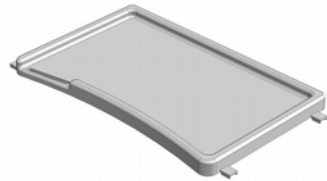
Flash me



x1



x1



x1



x4



x1



x1



x1



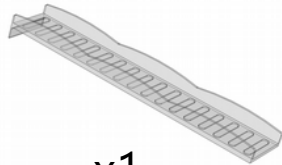
x4



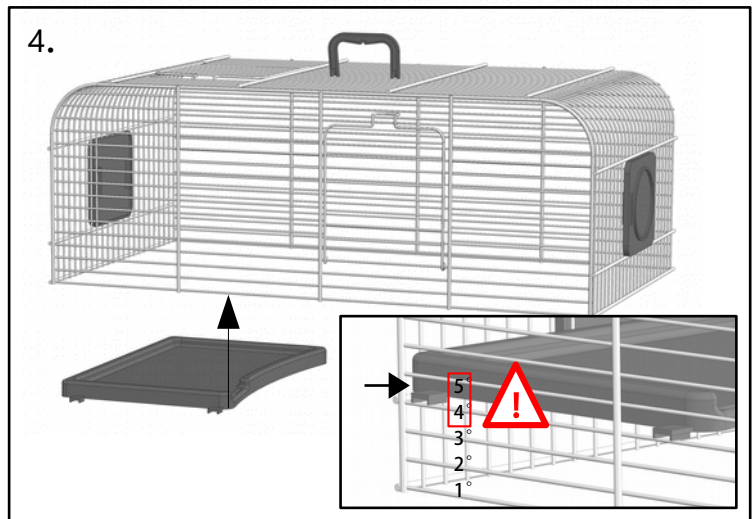
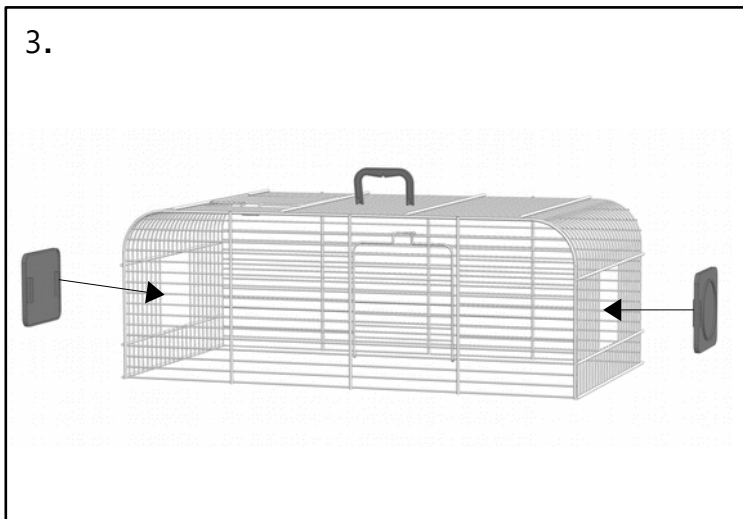
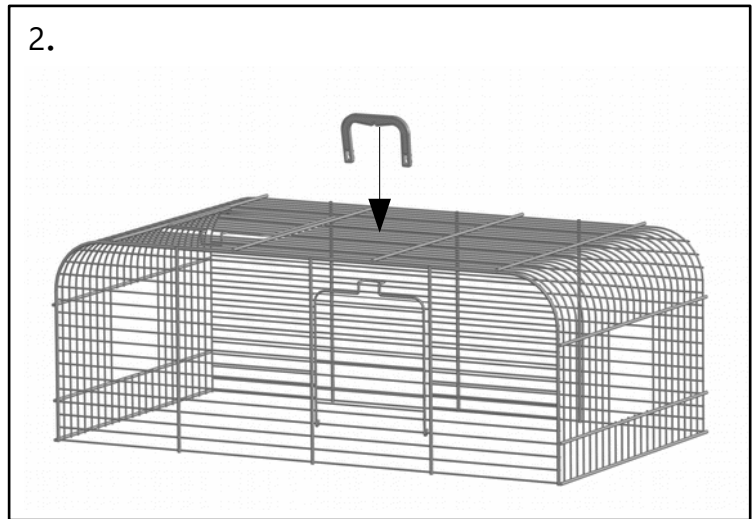
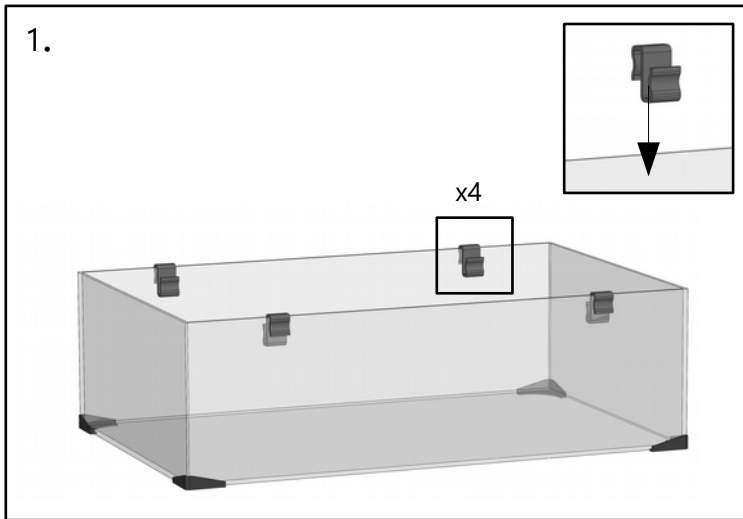
x2

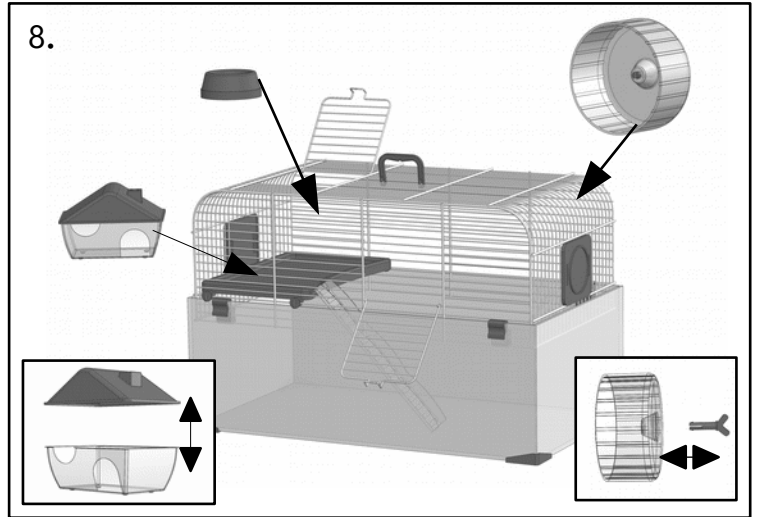
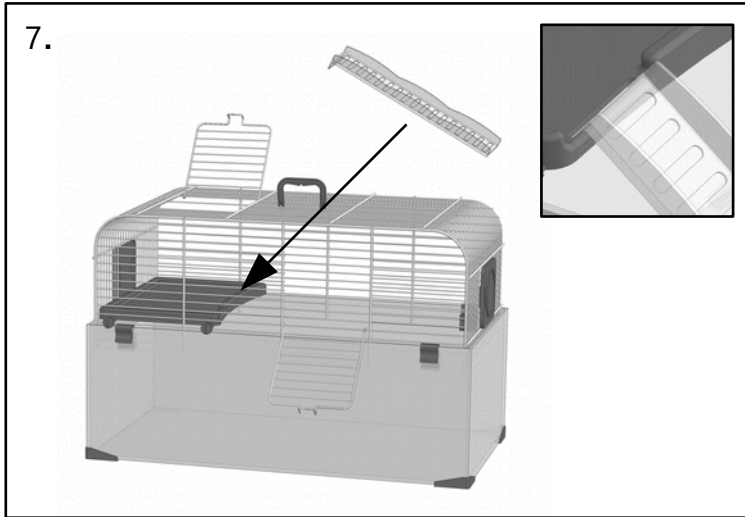
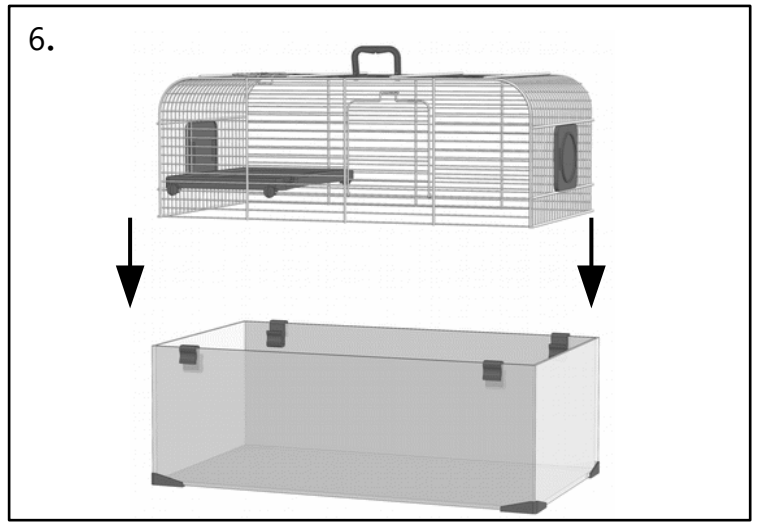
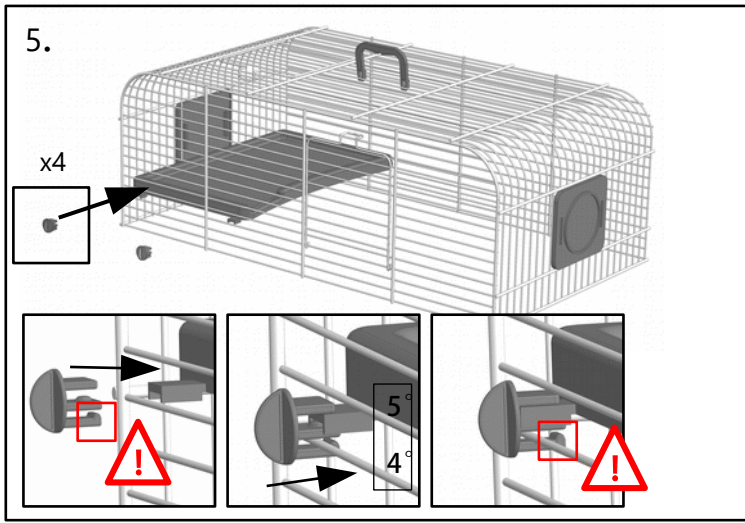


x1



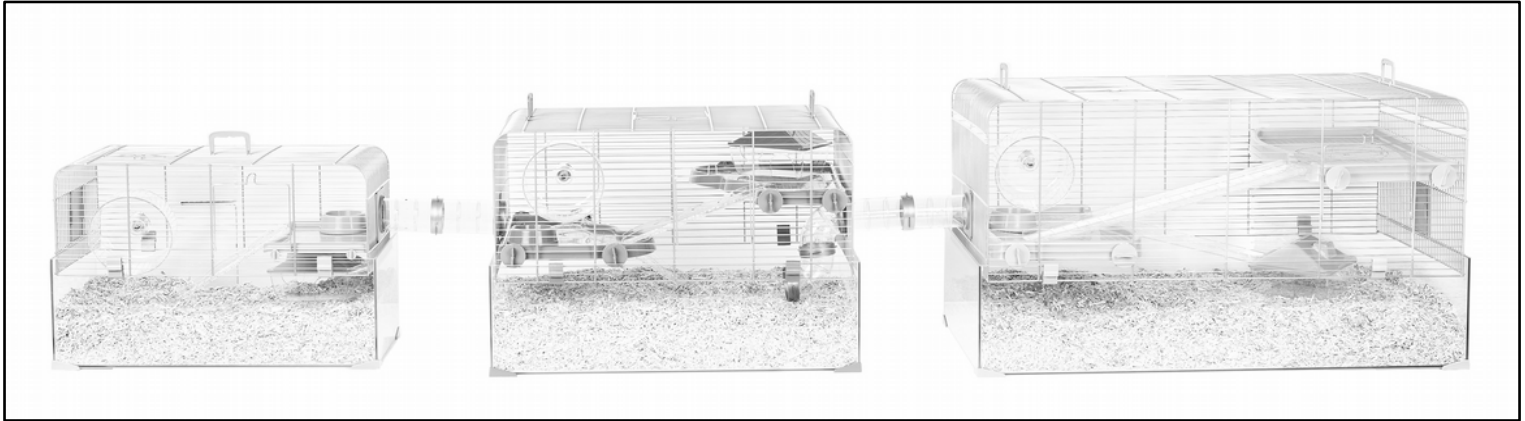
x1





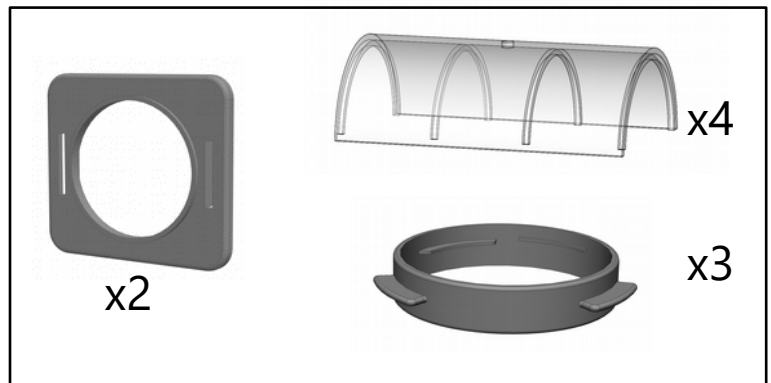
PANAS COLOUR

OPTIONS



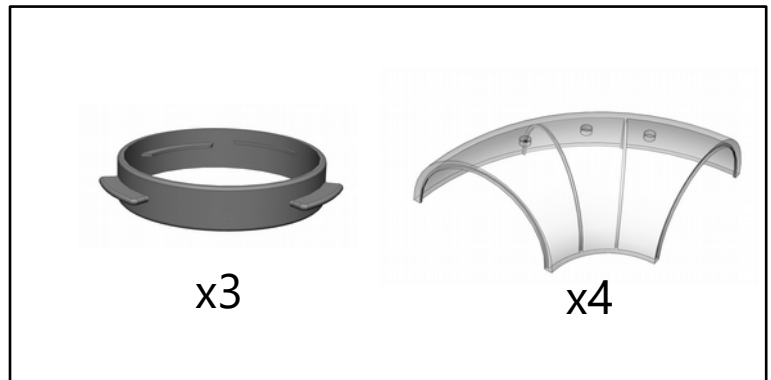
STARTER KIT

Ref. 205693



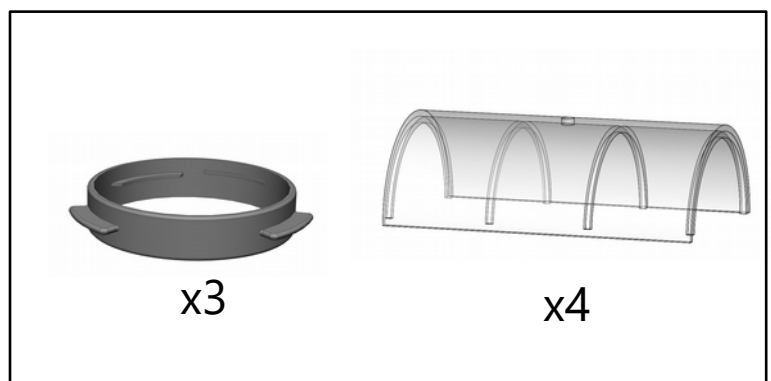
CONNECTION TUBES

Ref. 205694

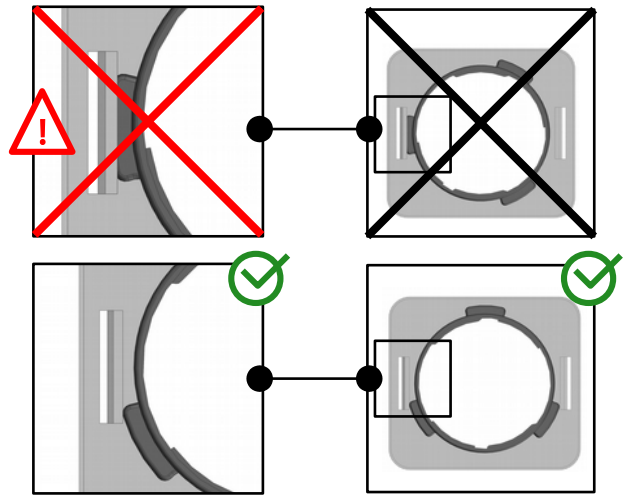
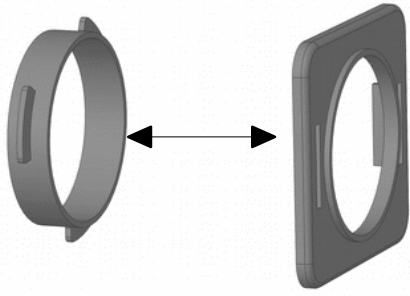


CONNECTION TUBES

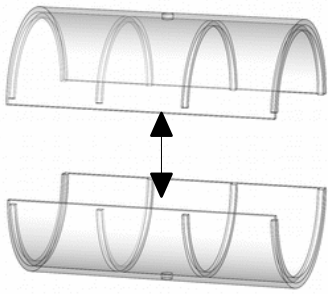
Ref. 205695



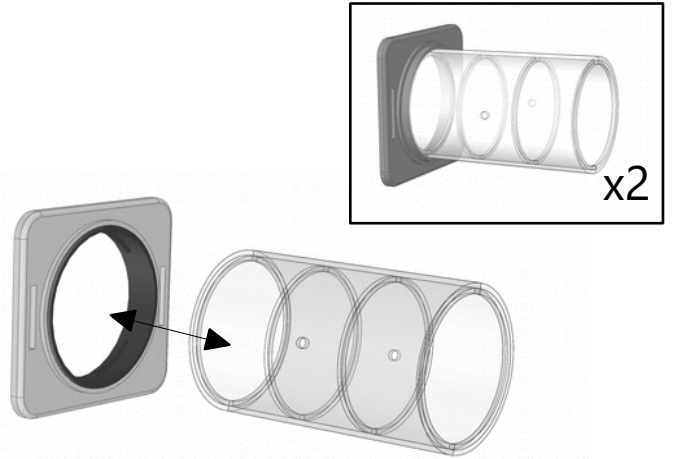
1.



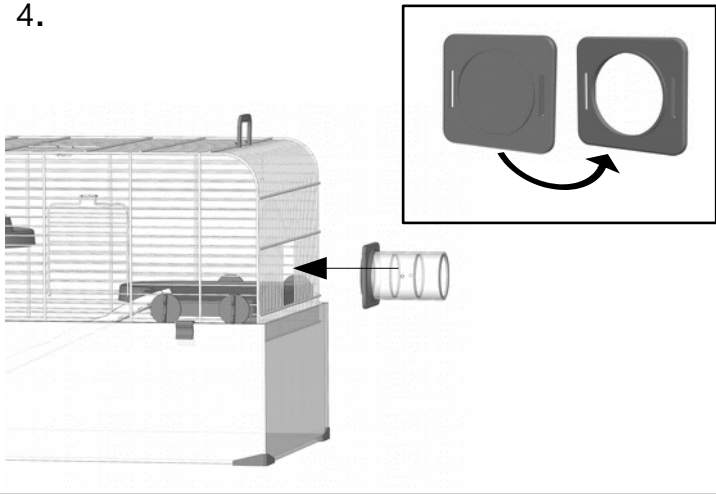
2.



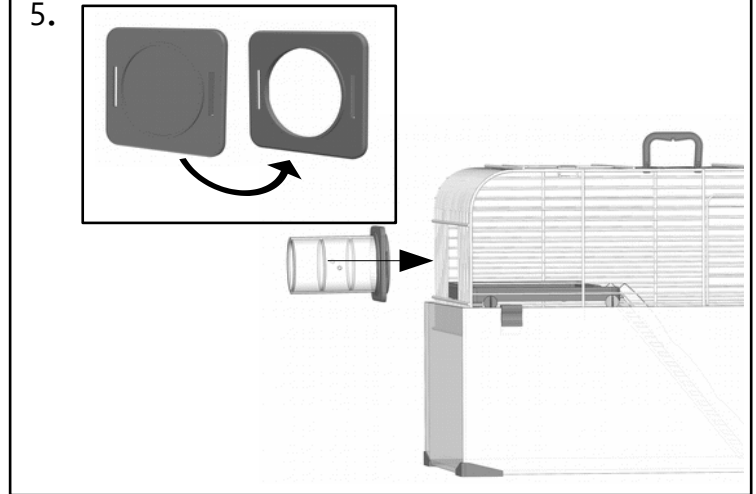
3.



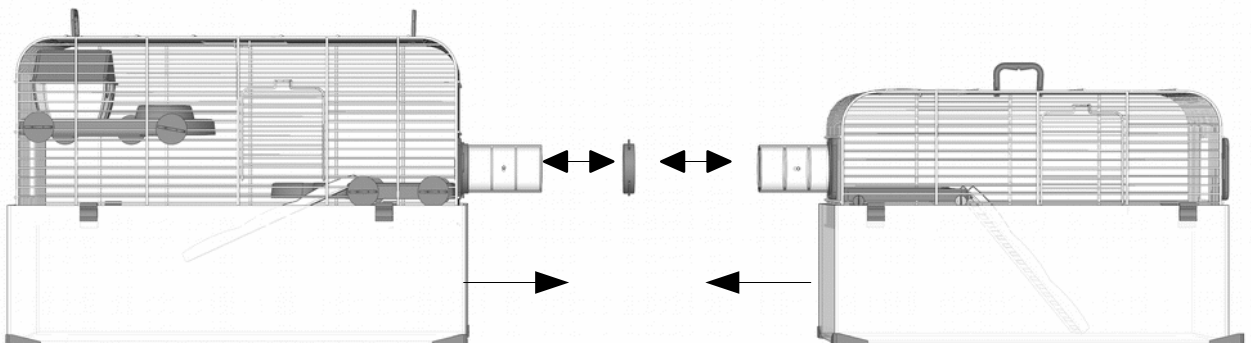
4.



5.



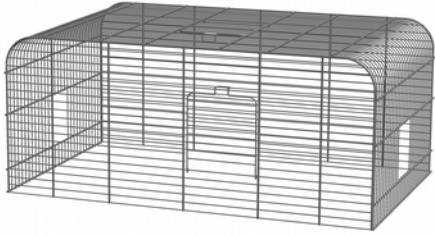
6.



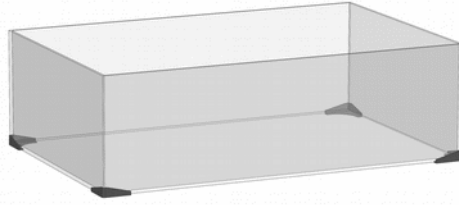
PANAS COLOUR CONNECTABLE

INSTRUCTIONS DE MONTAGE / ASSEMBLY INSTRUCTIONS /
ISTRUZIONI DI MONTAGGIO / INSTRUKCJA MONTAŻU /
INSTRUCCIONES DE MONTAJE / INSTRUÇÕES DE MONTAGEM /
ISTRUZIONI DI MONTAGGIO

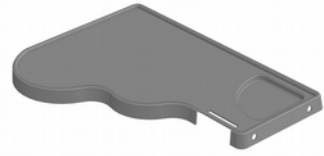
Flash me



x1



x1



x2



x8



x1



x1



x1



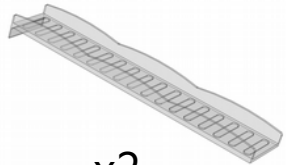
x4



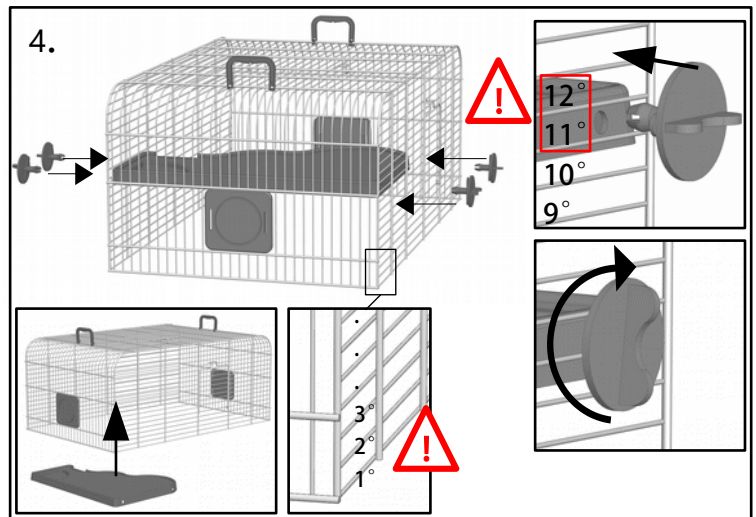
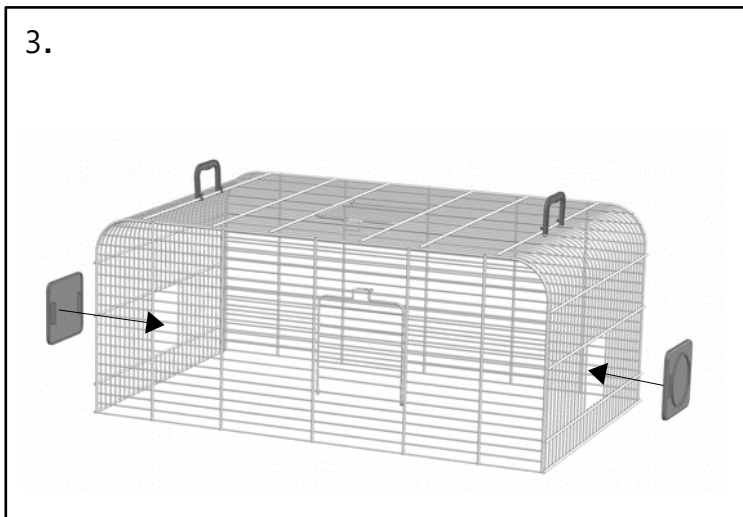
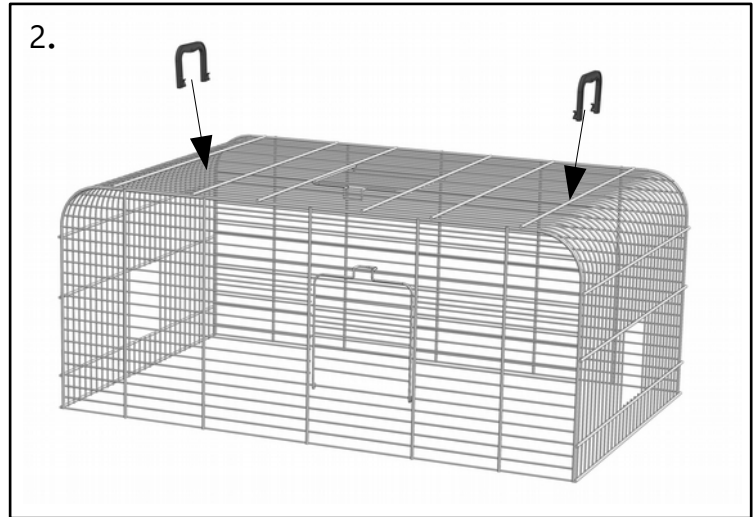
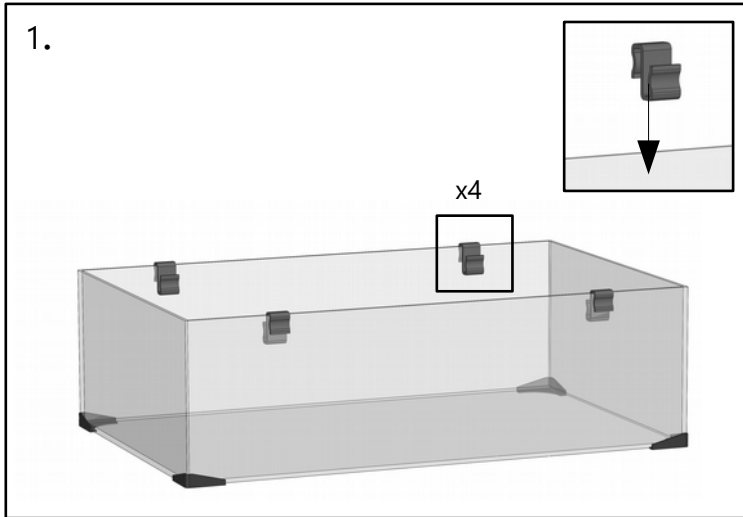
x2

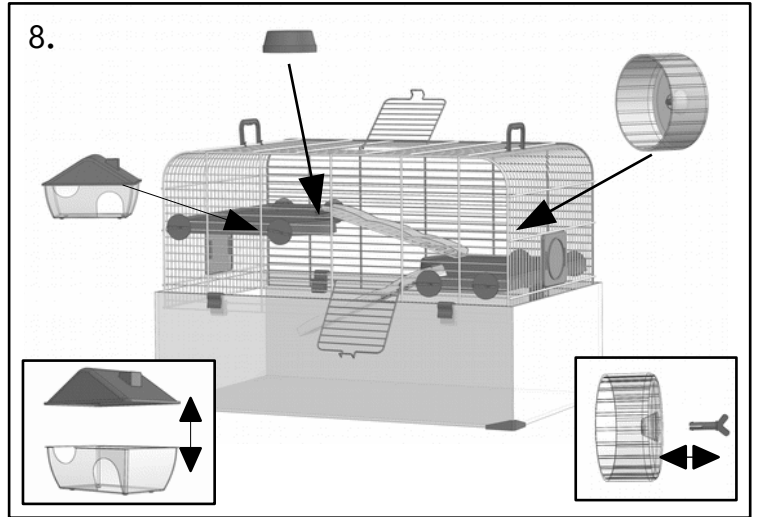
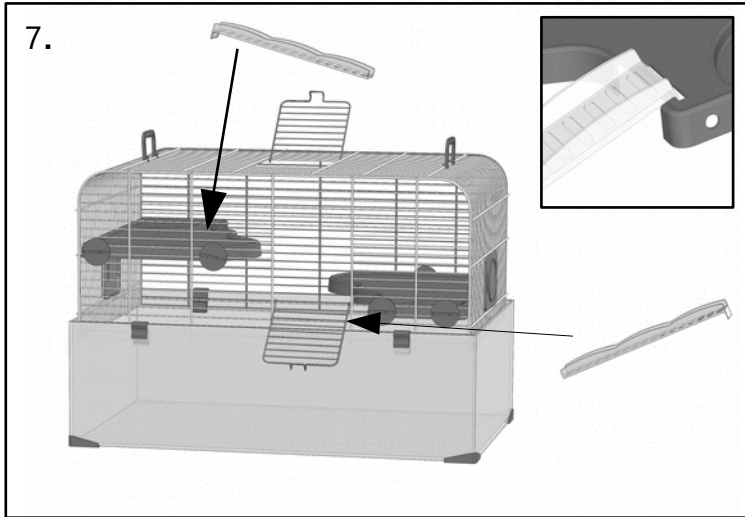
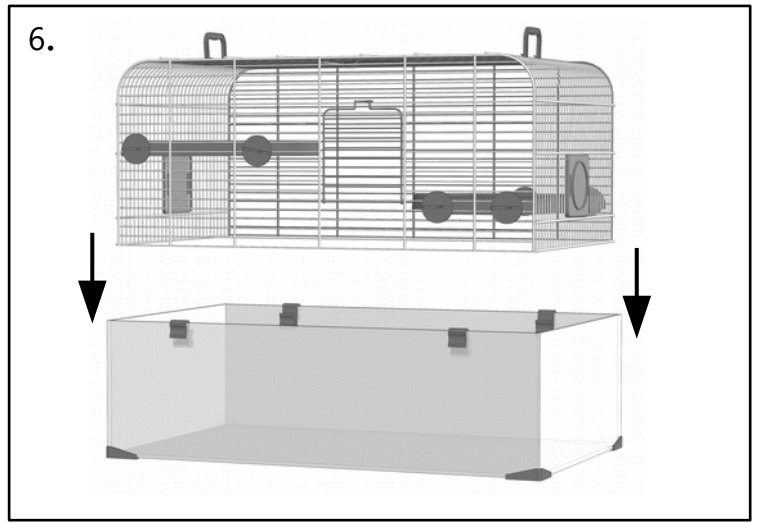
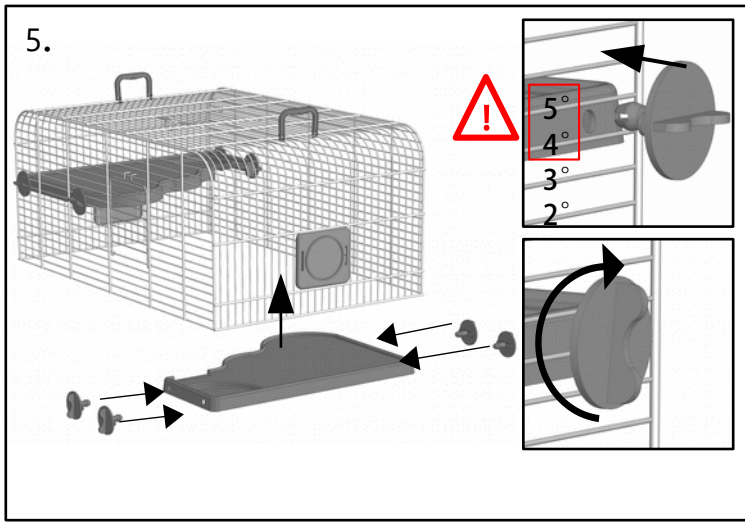


x2



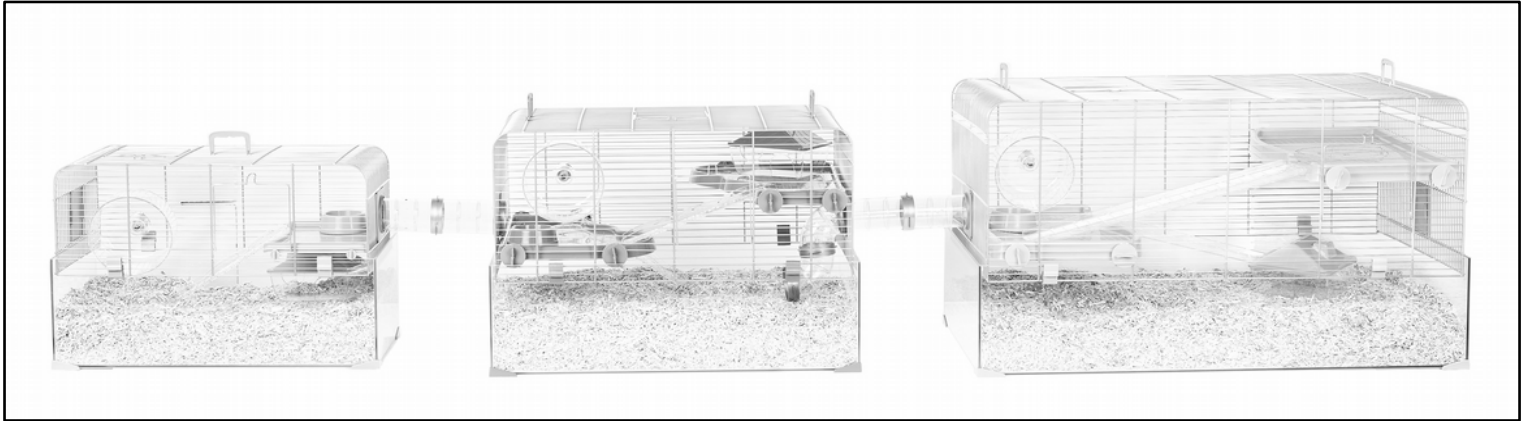
x2





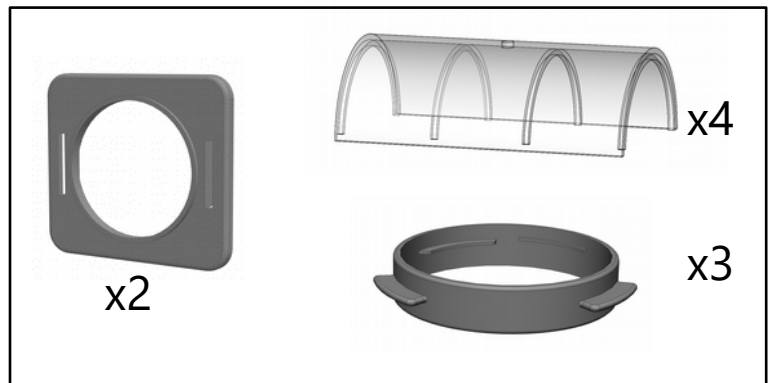
PANAS COLOUR

OPTIONS



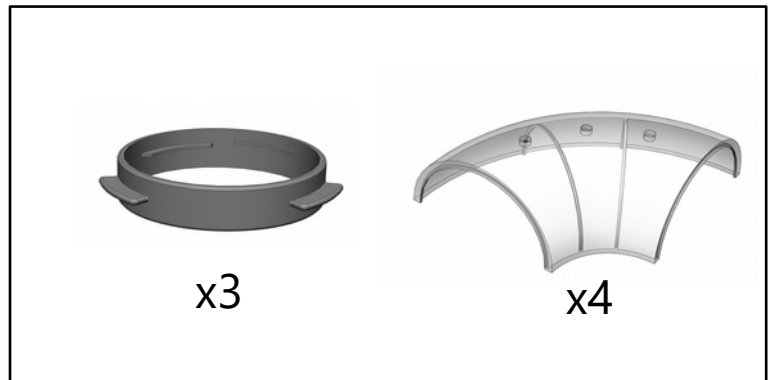
STARTER KIT

Ref. 205693



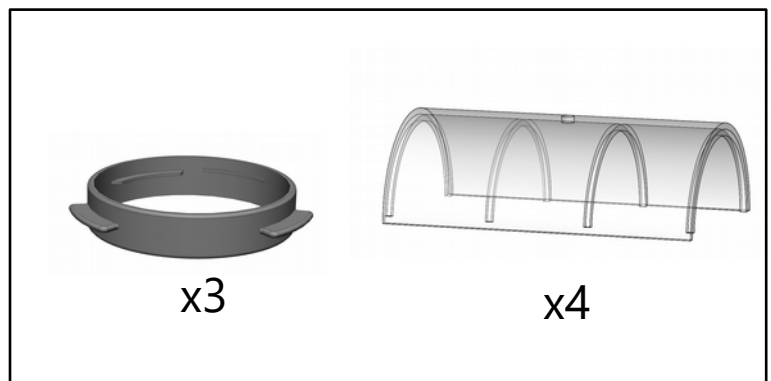
CONNECTION TUBES

Ref. 205694

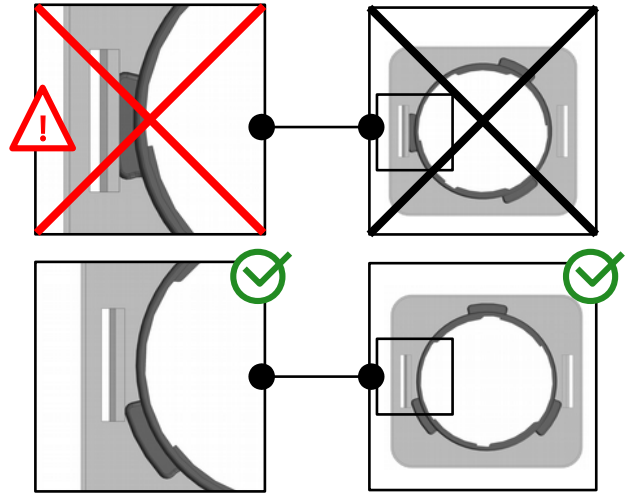
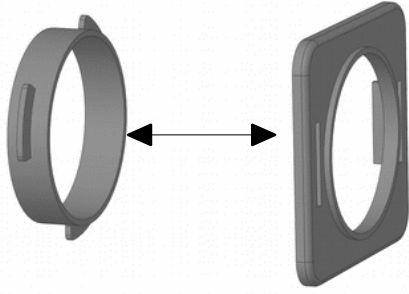


CONNECTION TUBES

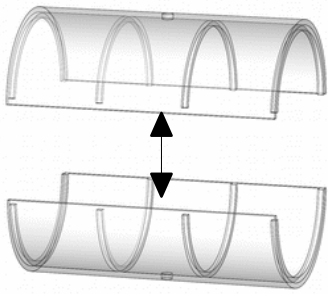
Ref. 205695



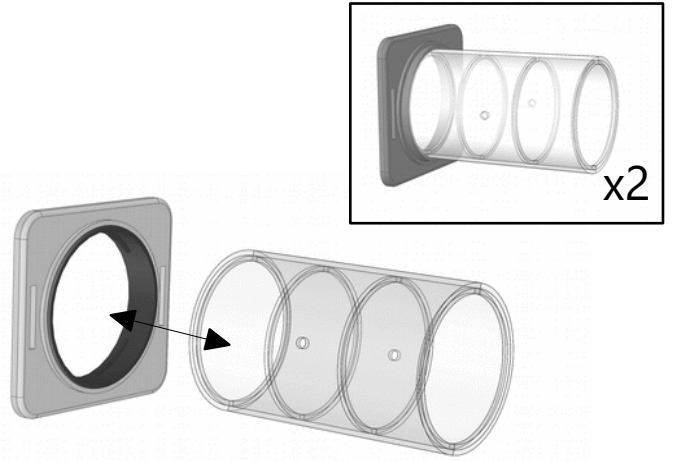
1.



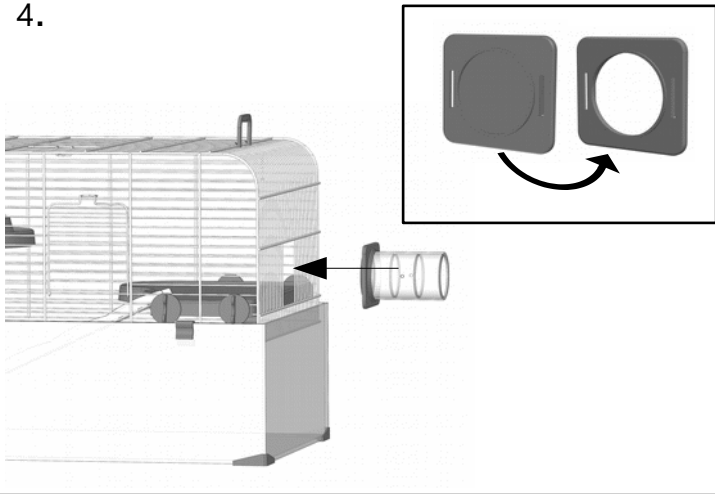
2.



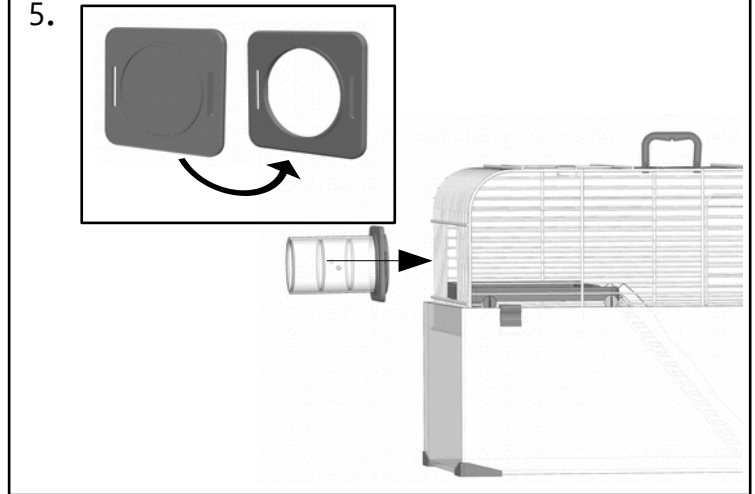
3.



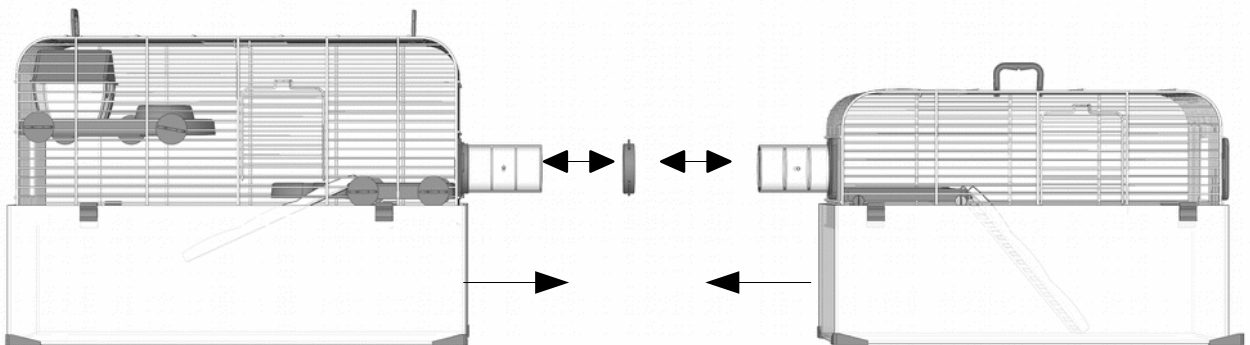
4.



5.

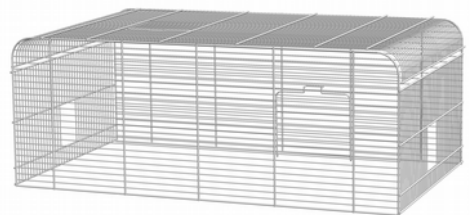
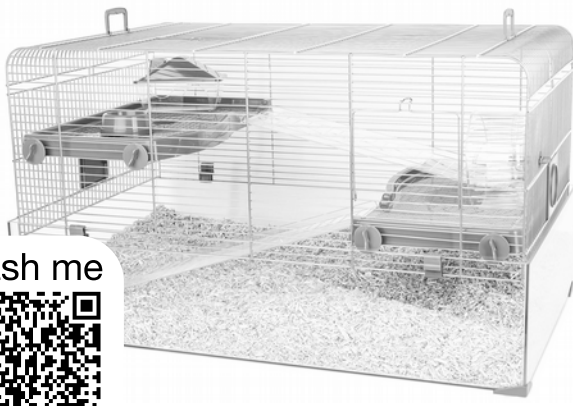


6.

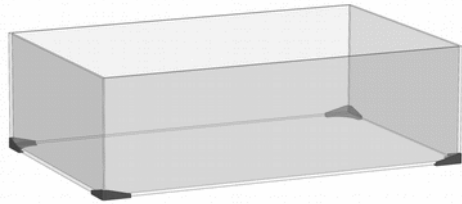


PANAS COLOUR CONNECTABLE

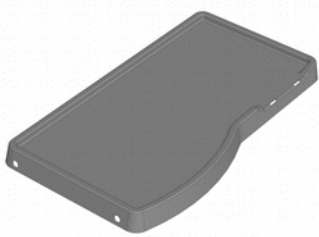
INSTRUCTIONS DE MONTAGE / ASSEMBLY INSTRUCTIONS /
ISTRUZIONI DI MONTAGGIO / INSTRUKCJA MONTAŻU /
INSTRUCCIONES DE MONTAJE / INSTRUÇÕES DE MONTAGEM /
ISTRUZIONI DI MONTAGGIO



x1



x1



x2



x8



x1



x1



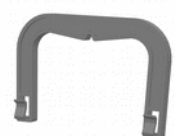
x1



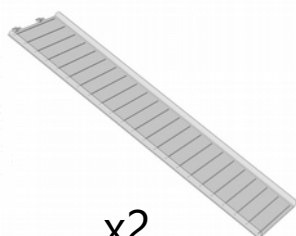
x4



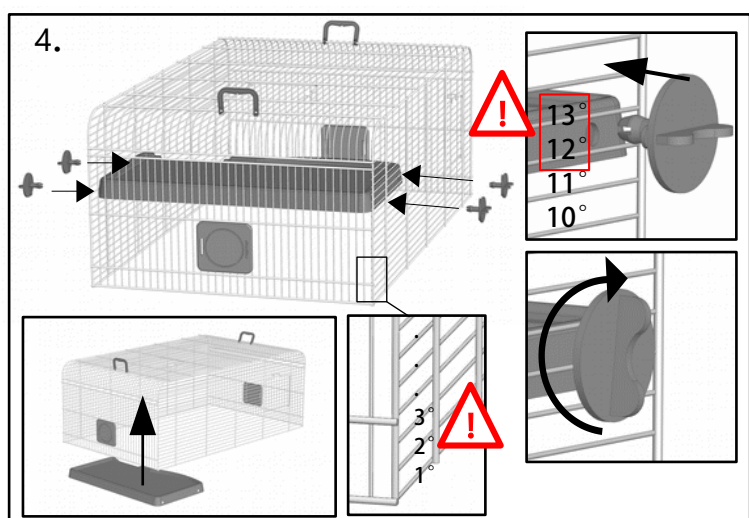
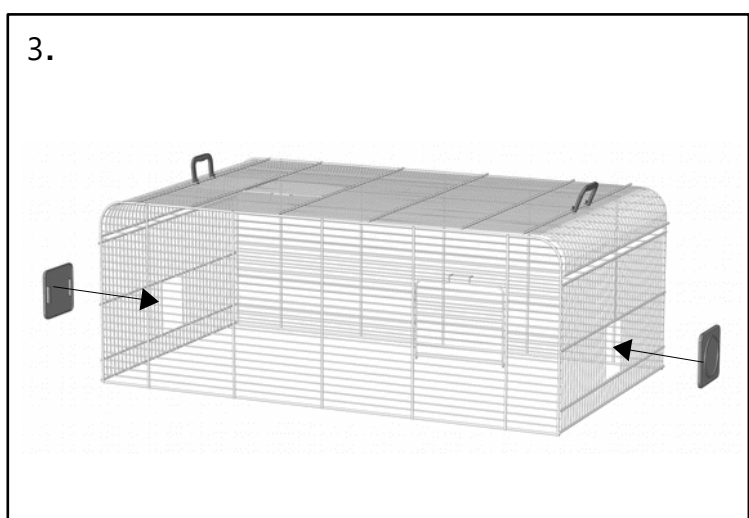
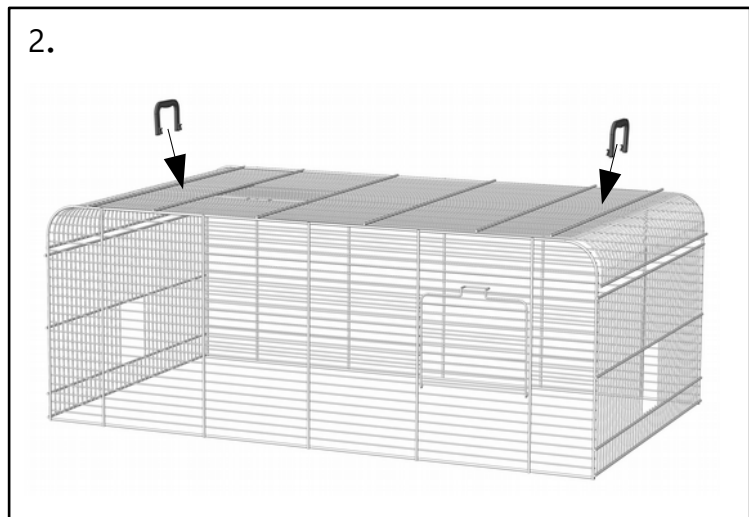
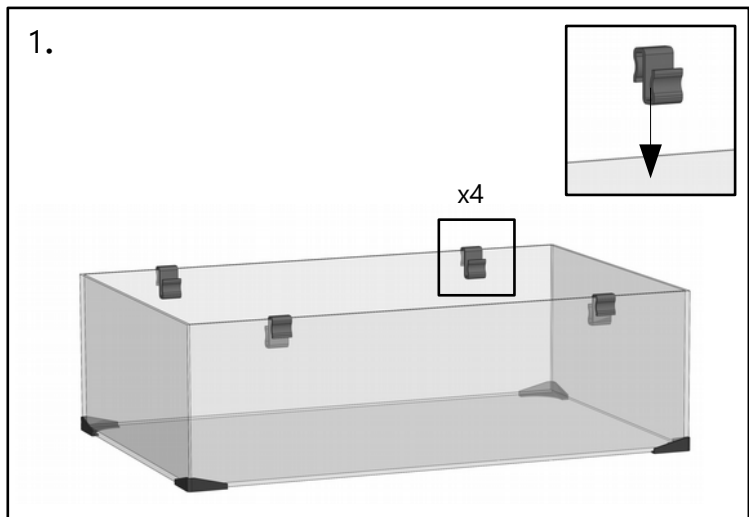
x2

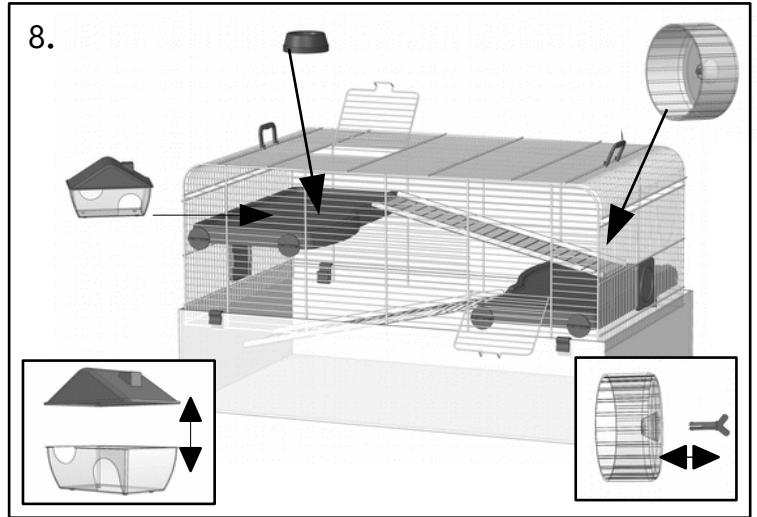
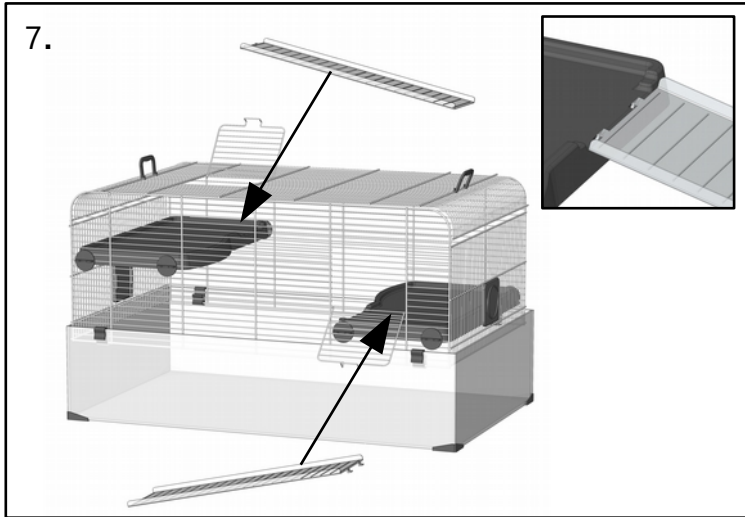
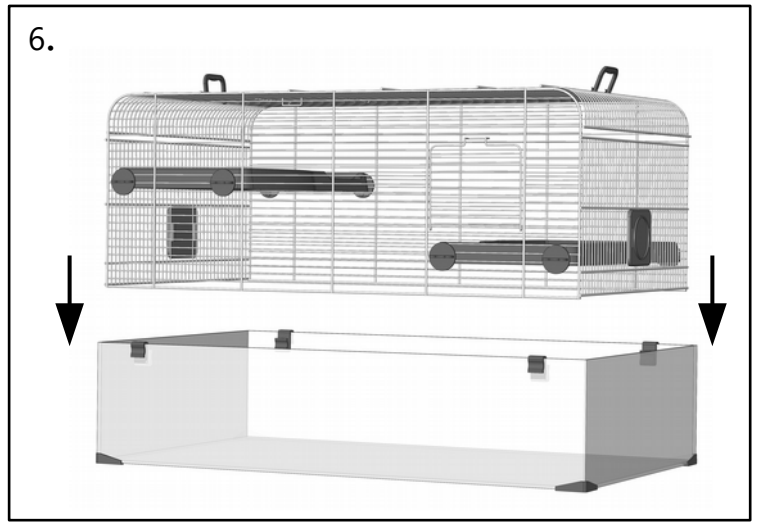
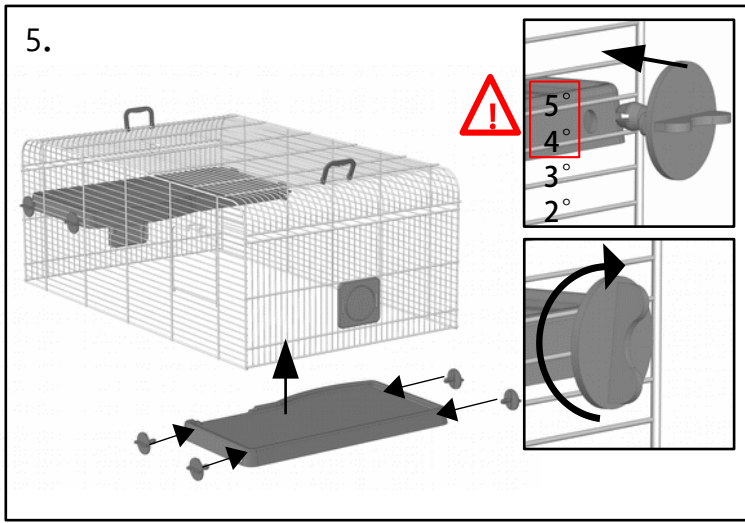


x2



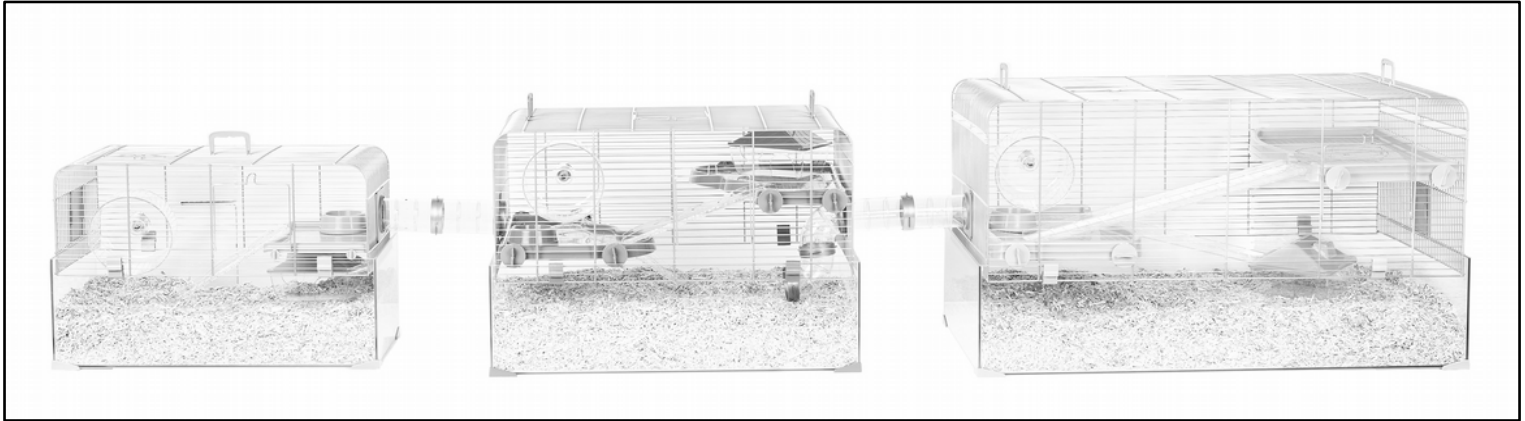
x2





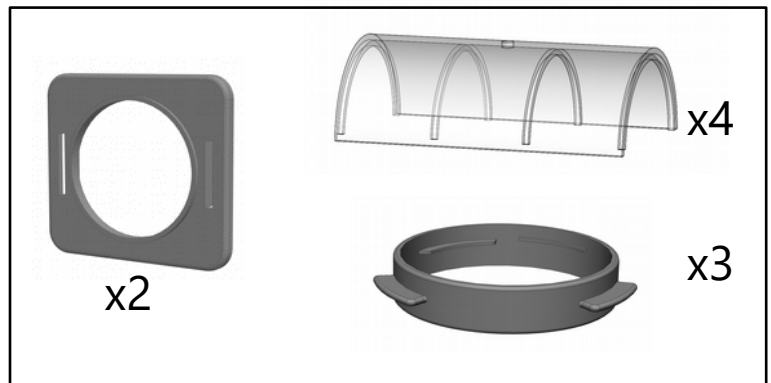
PANAS COLOUR

OPTIONS



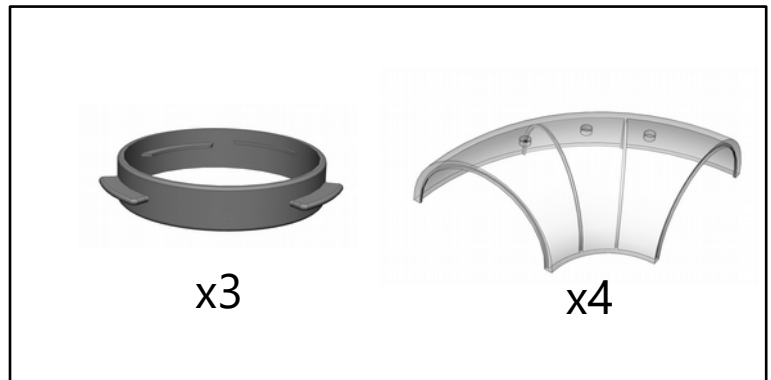
STARTER KIT

Ref. 205693



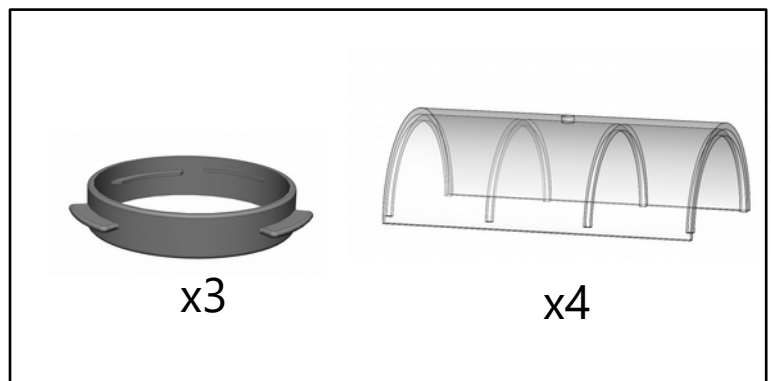
CONNECTION TUBES

Ref. 205694

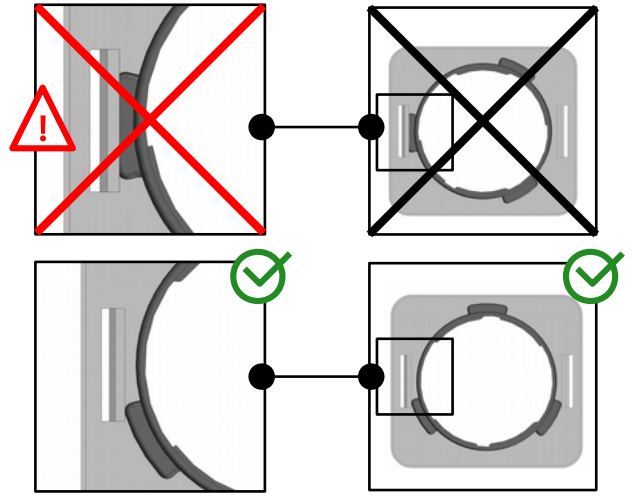
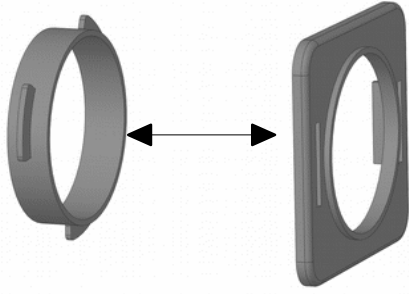


CONNECTION TUBES

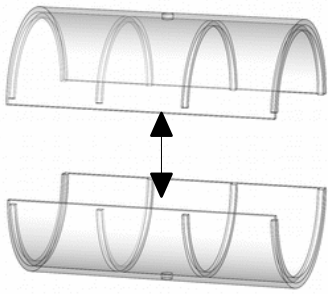
Ref. 205695



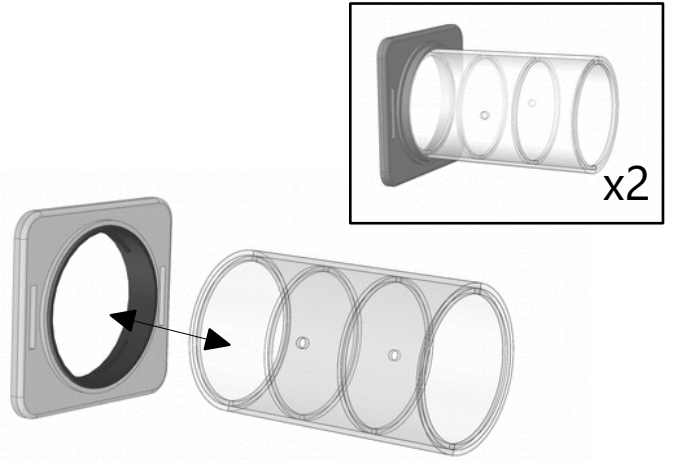
1.



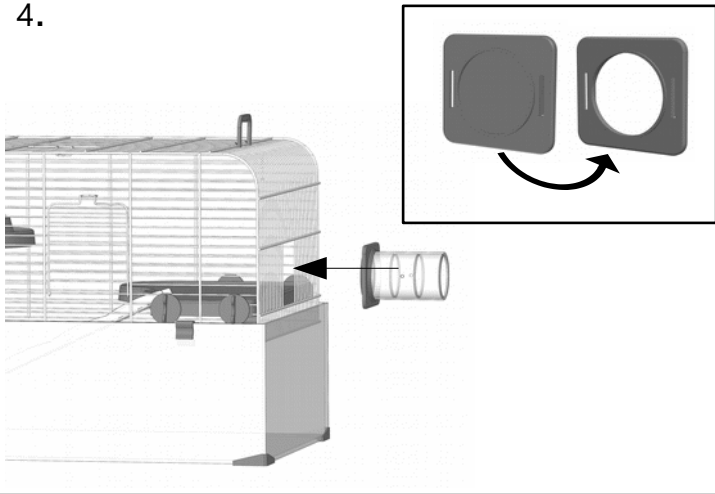
2.



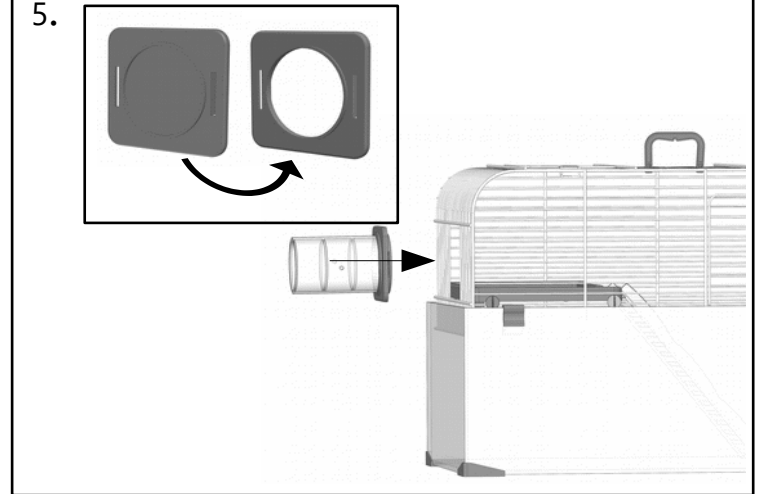
3.



4.



5.



6.

